

# LPG SST

Height: 15.1" (38.4cm) Width: 8.6" (21.8cm) Depth: 10.0" (25.4cm)



- Large, clear bean hopper merchandises 6 lb (2.72kg) of fresh regular, decaf or specialty coffee beans
- Easy access on back for grind weight adjustment
- Four year warranty on grinding burrs
- Just 8.64" (21.95cm) wide and a low profile height of 15.1" (38.4cm)
- Powered by quiet, high torque motor
- Professional grind provided by large 3.19" (8.1cm) diameter burrs powered by quiet, low speed, high torque motor



Agency:



## Specifications

**Product #:** 20580.0001

**Finish:** Stainless

**Hoppers:** One

**Hopper Capacity:** 6.00 lbs (2.722 kgs)

## Electrical & Capacity

Volts*	Amps	Watts	Cord Attached	Plug Type	8oz cups/hr 236ml cups/hr	Input H <sup>2</sup> O Temp.	Phase	# Wires plus Ground	Hertz
120	3	360	Yes	NEMA 5-15P	-	60°F (15.5°C)	1	2	60

\*When a BUNN is machine rated 120/208-240V, 120/208V or 120/240V, the higher voltage is the supply voltage needed to power the machine. The 120V is there to supply power to some components rated 120V in the machine, but it is not the supply voltage and would not power the machine if the machine is marked with the before mentioned ratings.

## Additional Features

## Plumbing Requirements

PSI	kPa	Fitting Supplied	Water Flow Required (GPM)
-	-	-	-

**WARNING:**

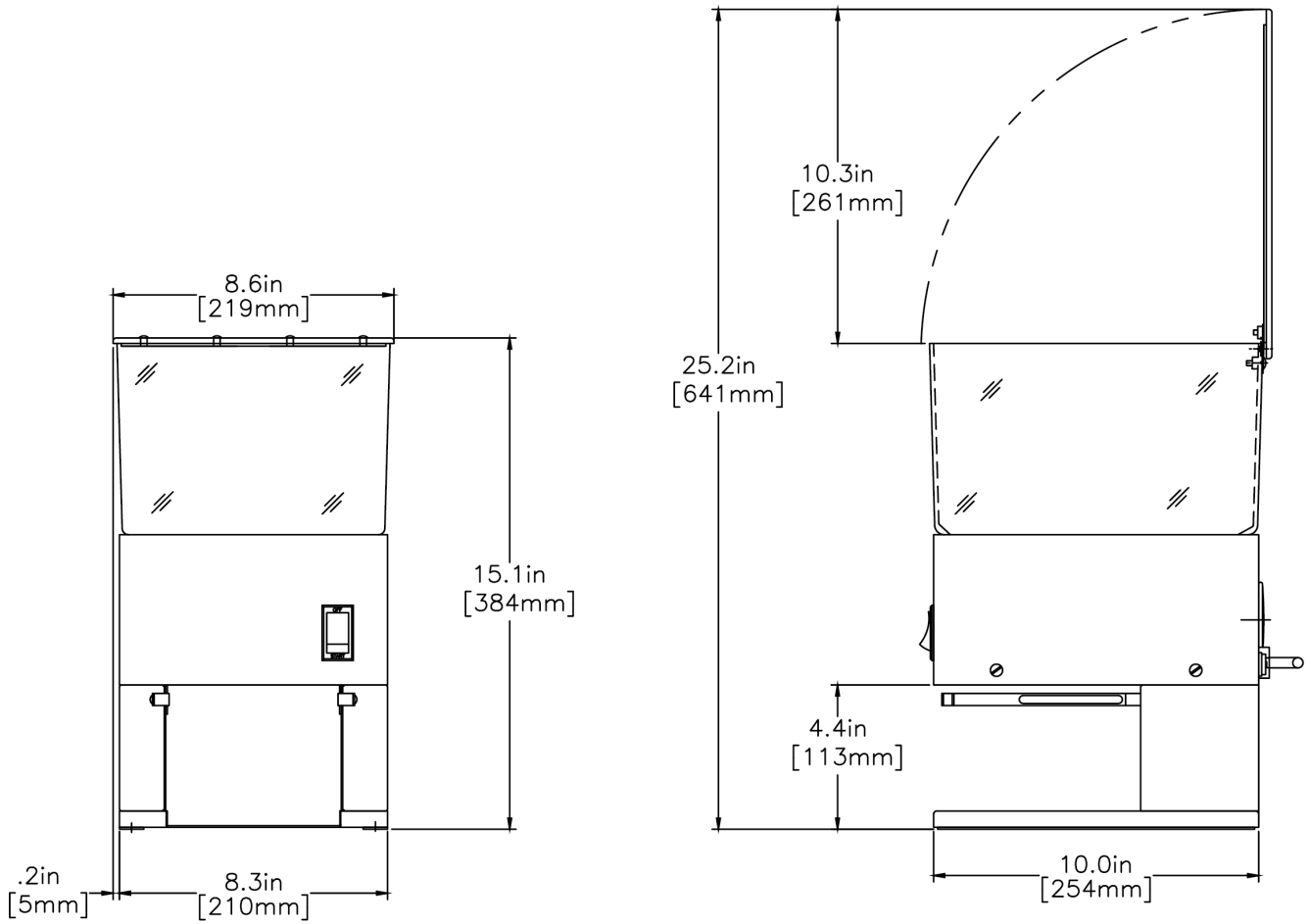
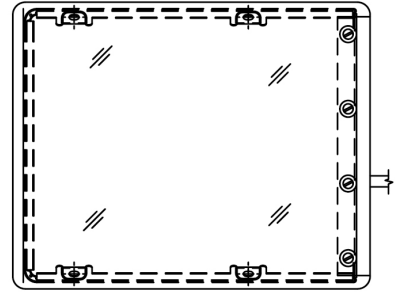
## CAD Drawings

2D	Revit	KLC
●		

**FRATELLO**  
COFFEE ROASTERS

www.fratellocoffee.com | 4021 - 9 Street SE, Calgary, AB T2G 3C7 | T: 403.265.2112

Serving Exceptional Coffee with Style!



	Unit			Shipping				
	Height	Width	Depth	Height	Width	Depth	Weight	Volume
English	15.1 in.	8.6 in.	10.0 in.	23.8 in.	12.9 in.	15.0 in.	22.550 lbs	2.654 ft <sup>3</sup>
Metric	38.4 cm	21.8 cm	25.4 cm	60.3 cm	32.7 cm	38.1 cm	10.229 kgs	0.075 m <sup>3</sup>

# FRATELLO

COFFEE ROASTERS

www.fratellocoffee.com | 4021 - 9 Street SE, Calgary, AB T2G 3C7 | T: 403.265.2112

Serving Exceptional Coffee with Style!